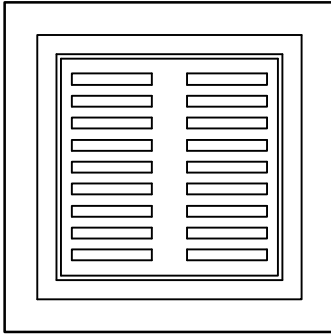
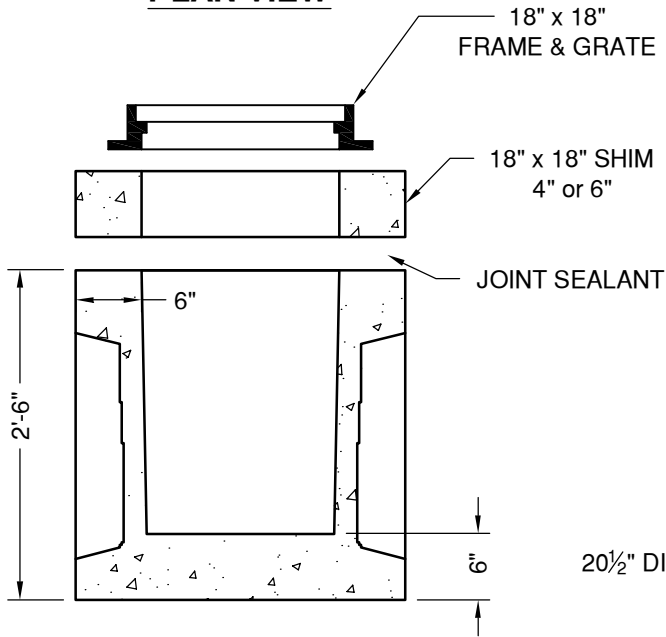


18" x 18" COMPONENTS

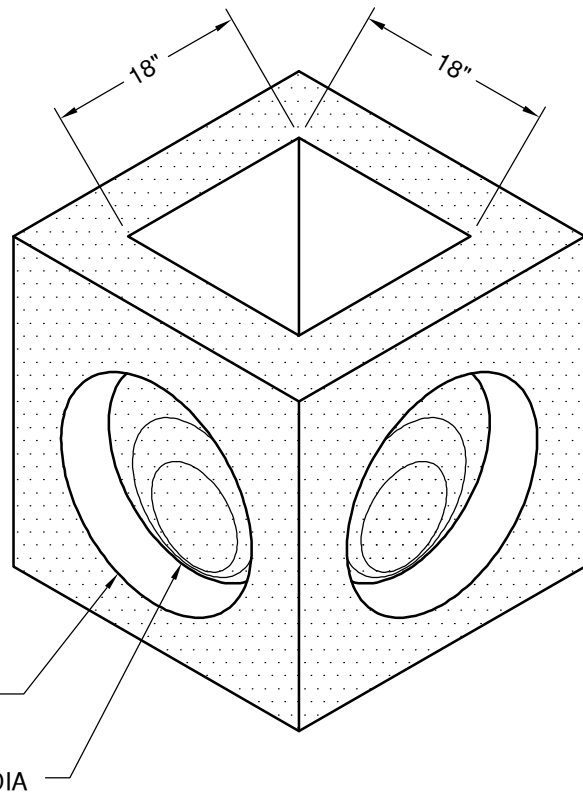
| SIZE (ID) | HEIGHT (ID) | WEIGHT |
|---------------|-------------|--------|
| BASE | 24" | 1,358# |
| SHIM | 4" | 200# |
| SHIM | 6" | 300# |
| FRAME & GRATE | 4" | 144# |



PLAN VIEW



SECTION VIEW



ISOMETRIC VIEW

**MAX PIPE SIZE
12" RCP/15" HDPE**



"NPCA" CERTIFIED PLANT
16700 SIMA GRAY RD, HENRYVILLE, IN 47126
Phone: (812) 246-6258 Fax: (812) 294-4862

SPECIFICATIONS

CONCRETE: 4500 PSI @ 28 DAYS
REINFORCEMENT: ASTM A-615, GR 60
DESIGN LOAD: AASHTO HS-20

WEIGHT: See Chart

**18" x 18" KNOCKOUT
CATCH BASIN**

DATE: 11-18-16

DWG #CB-KO-1818