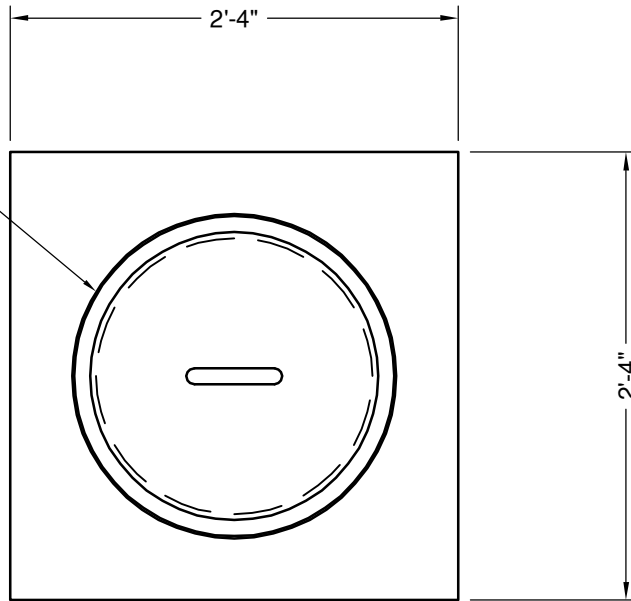
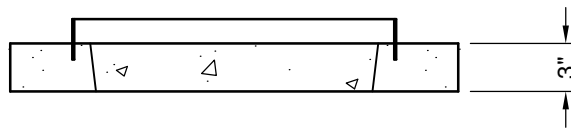


18½" DIA CONCRETE PLUG
& 20" DIA HDPE STARTER RING



PLAN VIEW



SECTION VIEW



"NPCA" CERTIFIED PLANT
16700 SIMA GRAY RD, HENRYVILLE, IN 47126
Phone: (812) 246-6258 Fax: (812) 294-4862

SPECIFICATIONS

CONCRETE: 4500 PSI @ 28 DAYS
REINFORCEMENT: ASTM A-615, GR 60
LOAD DESIGN: NON-TRAFFIC 18" MAX COVER

WEIGHT: 180# (PLUG 80#)

**SEPTIC TANK
ADAPTER**

DATE: 1-31-17

DWG #ST-IN-STA