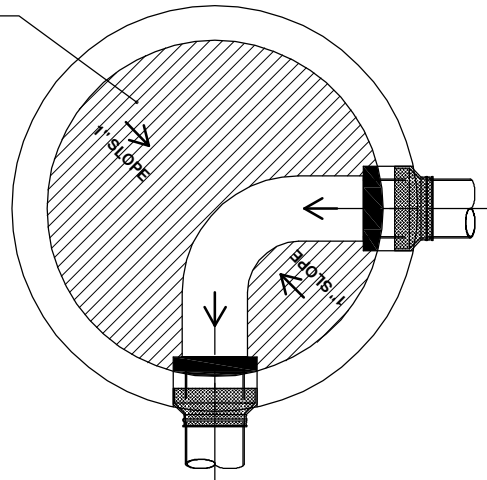
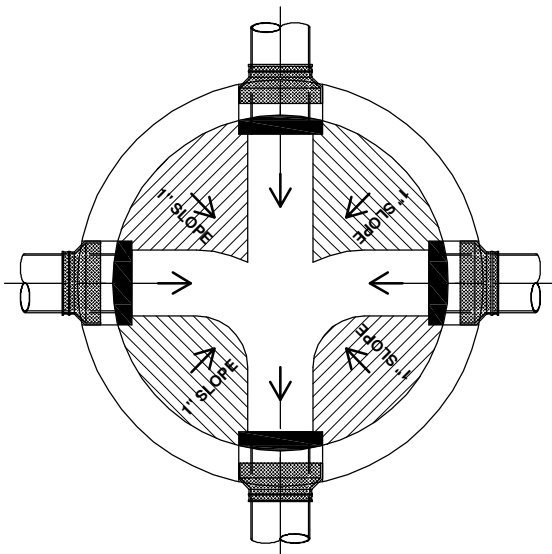


STRAIGHT THRU FLOW

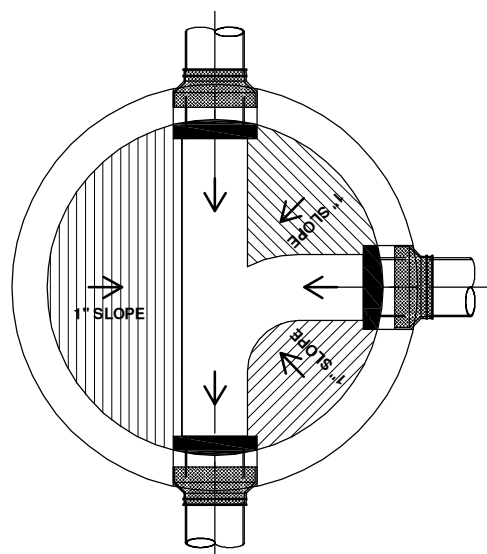
LIGHT BROOM
FINISH
TYPICAL



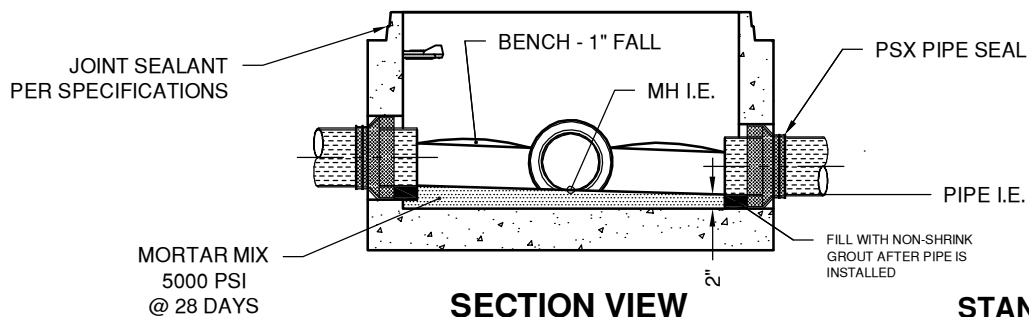
TYPICAL CURVE FLOW



TYPICAL 4-WAY FLOW



TYPICAL 3-WAY FLOW



SECTION VIEW

**STANDARD = 0.1' FALL
THRU FLOW CHANNEL**



"NPCA" CERTIFIED PLANT
16700 SIMA GRAY RD, HENRYVILLE, IN 47126
Phone: (812) 246-6258 Fax: (812) 294-4862

SPECIFICATIONS

MORTAR MIX: 5000 PSI @ 28 DAYS
DESIGN SPECIFICATION: ASTM C-478

WEIGHT: See Chart

**SANITARY MANHOLE
INVERT/FLOW
CHANNEL**

DATE: 03-27-18

DWG #SAN-MH-INV