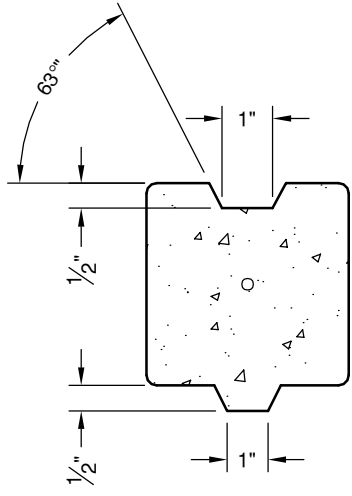
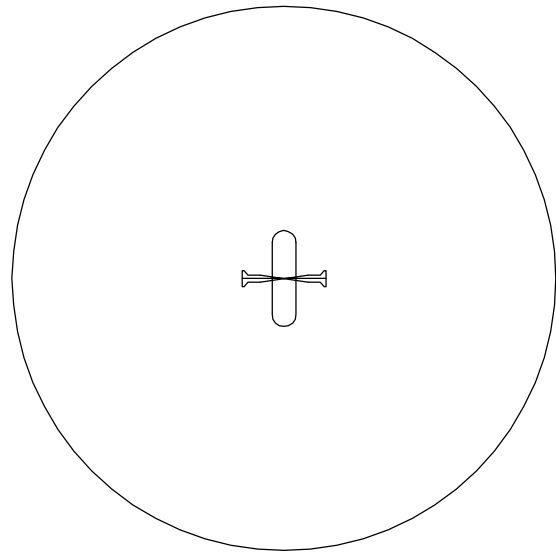


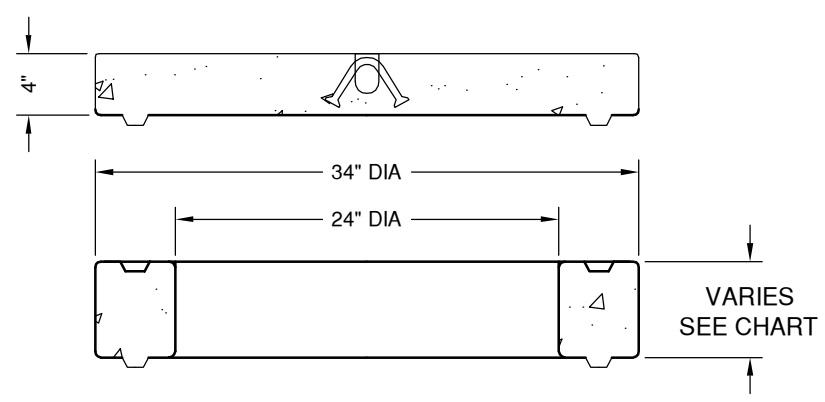
24" GRADE RING OPTIONS		
ITEM	HEIGHT (ID)	WEIGHT
GRADE RING	3"	119#
GRADE RING	4"	157#
GRADE RING	5"	198#
GRADE RING	6"	237#
GRADE RING	8"	316#
GRADE RING	12"	475#
GRADE RING	24"	950#
GRADE RING LID	4"	315#



JOINT DETAIL



PLAN VIEW



SECTION VIEW



"NPCA" CERTIFIED PLANT
 16700 SIMA GRAY RD, HENRYVILLE, IN 47126
 Phone: (812) 246-6258 Fax: (812) 294-4862

SPECIFICATIONS
CONCRETE: 4500 PSI @ 28 DAYS
REINFORCEMENT: ASTM A-615, GR 60
DESIGN LOAD: AASHTO HS-20
DESIGN SPECIFICATION: ASTM C-478

WEIGHT: See Chart
GRADE RING 24" DIAMETER
DATE: 1-12-17 DWG #MH-GR24