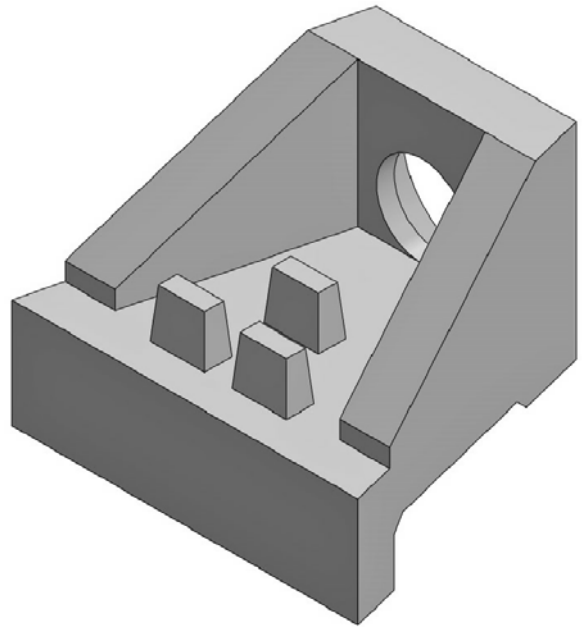
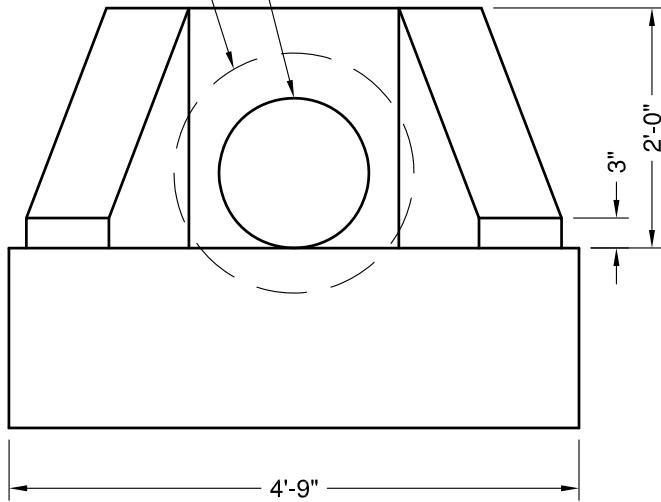


**PLAN VIEW**

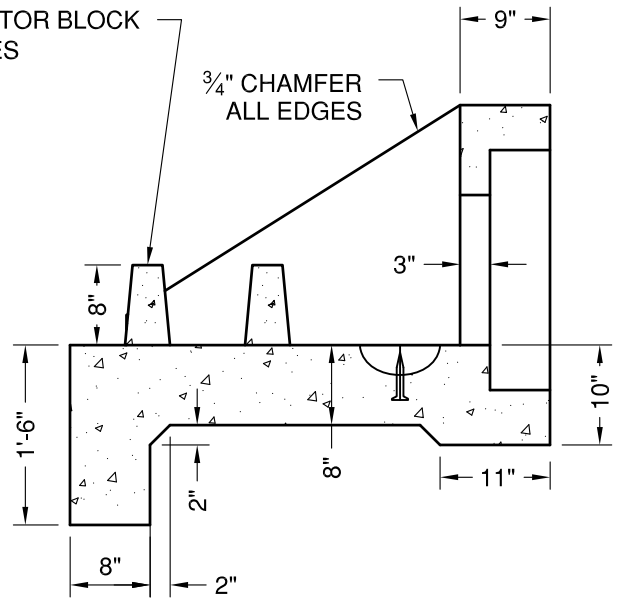
#2 HANDLES  
3 PLACES



24" DIA RECESS      15" DIA HOLE      4-1/2" x 9" DISSIPATOR BLOCK  
3 PLACES



**FRONT VIEW**



**SECTION VIEW**



"NPCA" CERTIFIED PLANT  
16700 SIMA GRAY RD, HENRYVILLE, IN 47126  
Phone: (812) 246-6258 Fax: (812) 294-4862

**SPECIFICATIONS**

CONCRETE: 4500 PSI @ 28 DAYS  
REINFORCEMENT: ASTM A-615, GR 60

WEIGHT: 2,929#

**SLOPED & FLARED  
DISSIPATOR HW  
15" PIPE**

DATE: 5-1-20

DWG #HW-SF-15-D