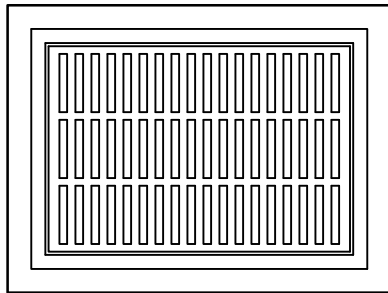
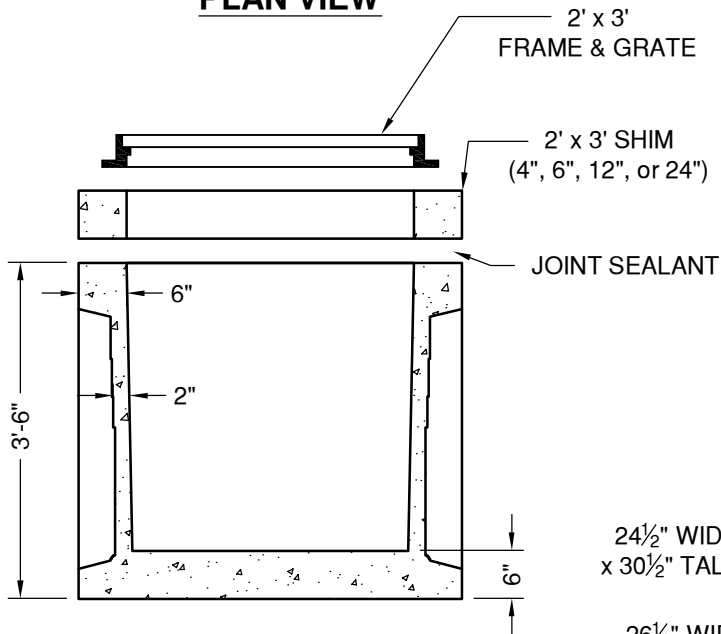


**TOP SLAB AVAILABLE  
FOR ALTERNATE  
CASTING SIZES**

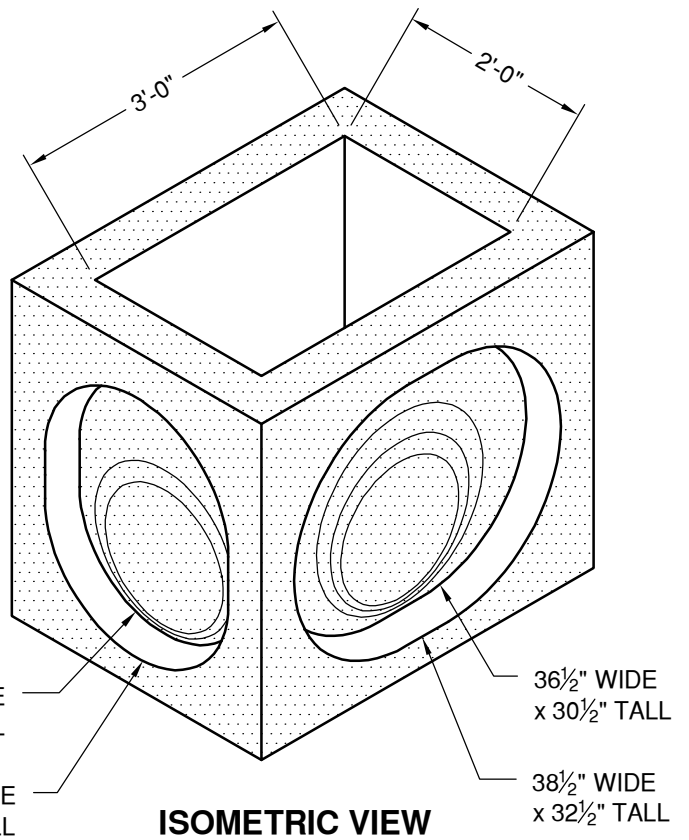


2' x 3' COMPONENTS		
SIZE (ID)	HEIGHT (ID)	WEIGHT
BASE	36"	2,781#
SHIM	4"	300#
SHIM	6"	450#
SHIM	12"	900#
SHIM	24"	1,800#
FRAME & GRATE	4"	320#

**PLAN VIEW**



**SECTION VIEW**



**ISOMETRIC VIEW**

**MAX PIPE SIZE**  
**2' SIDE - 15" RCP/18" HDPE**  
**3' SIDE - 21" RCP/24" HDPE**



"NPCA" CERTIFIED PLANT  
 16700 SIMA GRAY RD, HENRYVILLE, IN 47126  
 Phone: (812) 246-6258 Fax: (812) 294-4862

**SPECIFICATIONS**

CONCRETE: 4500 PSI @ 28 DAYS  
 REINFORCEMENT: ASTM A-615, GR 60  
 DESIGN LOAD: AASHTO HS-20

WEIGHT: See Chart

**2' x 3' KNOCKOUT  
CATCH BASIN**

DATE: 11-18-16

DWG #CB-KO-2436