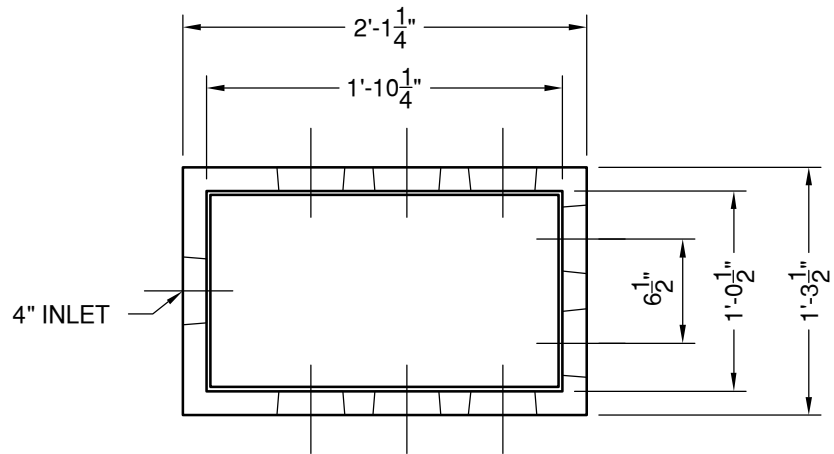
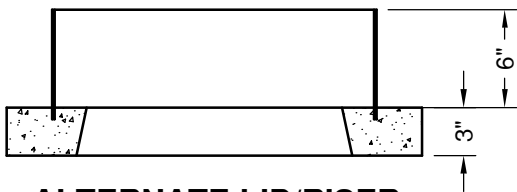


**PLAN VIEW**

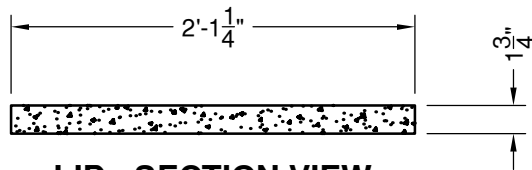
20" DIA HDPE RISER



**PLAN VIEW**

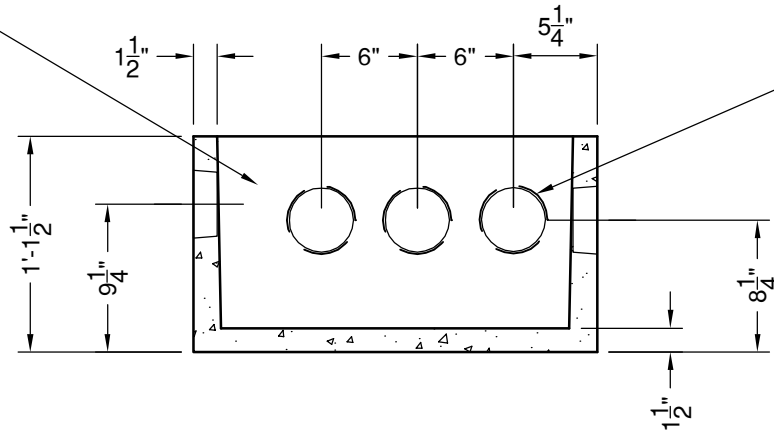


**ALTERNATE LID/RISER SECTION VIEW**



**LID - SECTION VIEW**

INTERIOR BITUMINOUS COATING



**SECTION VIEW**

4" OUTLET  
8 PLACES



"NPCA" CERTIFIED PLANT  
16700 SIMA GRAY RD, HENRYVILLE, IN 47126  
Phone: (812) 246-6258 Fax: (812) 294-4862

**SPECIFICATIONS**

CONCRETE: 4500 PSI @ 28 DAYS  
REINFORCEMENT: ASTM A-615, GR 60  
LOAD DESIGN: NON-TRAFFIC 18" MAX COVER

WEIGHT: BASE 175#, LID 61#

**DISTRIBUTION BOX  
#9  
INDIANA**

DATE: 2-1-17

DWG #ST-IN-DB9