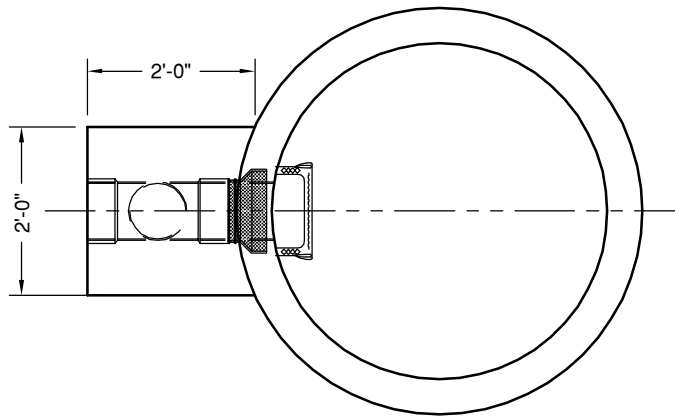
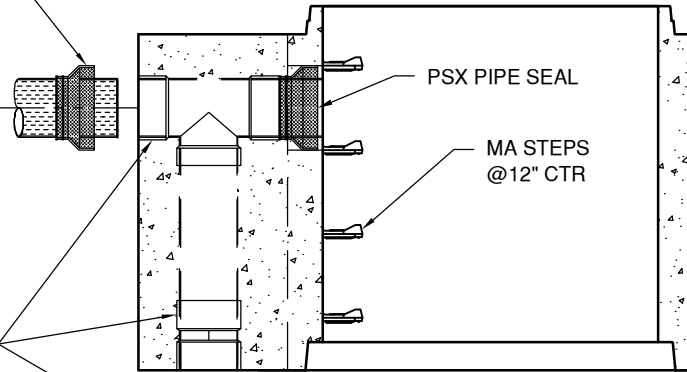


**ACCOMODATES
6" => 12" DIA PIPE
ANY MANHOLE
STRUCTURE SIZE**

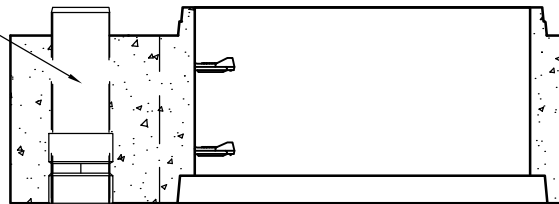


EXTERNAL LUG	
PIPE SIZE	WEIGHT/VF
8"	550#
10"	520#
12"	480#

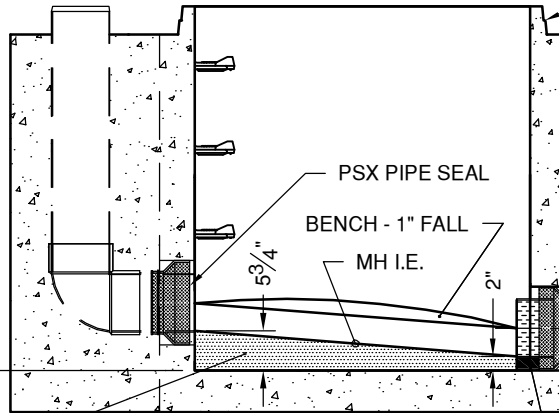
PSX PIPE SEAL
REQUIRED IF
PIPE SLOPE
EXCEEDS 1.5%



SDR 35
PIPE & FITTINGS
CAST IN



VARIABLE
4' DIA = 48" MAX
5'6" DIA = 72" MAX



MORTAR MIX
5000 PSI
@ 28 DAYS

FILL WITH NON-SHRINK
GROUT AFTER PIPE IS
INSTALLED

SECTION VIEW



"NPCA" CERTIFIED PLANT
16700 SIMA GRAY RD, HENRYVILLE, IN 47126
Phone: (812) 246-6258 Fax: (812) 294-4862

SPECIFICATIONS

CONCRETE: 4500 PSI @ 28 DAYS
REINFORCEMENT: ASTM A-615, GR 60
DESIGN LOAD: AASHTO HS-20
DESIGN SPECIFICATION: ASTM C-478

WEIGHT: See Chart

**SANITARY
DROP MANHOLE
ADD LUG - 8" => 12" PIPE**

DATE: 3-30-18

DWG #SAN-MH-DROP