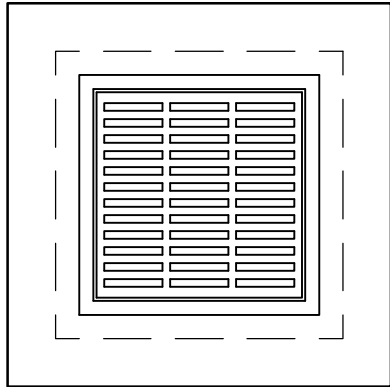


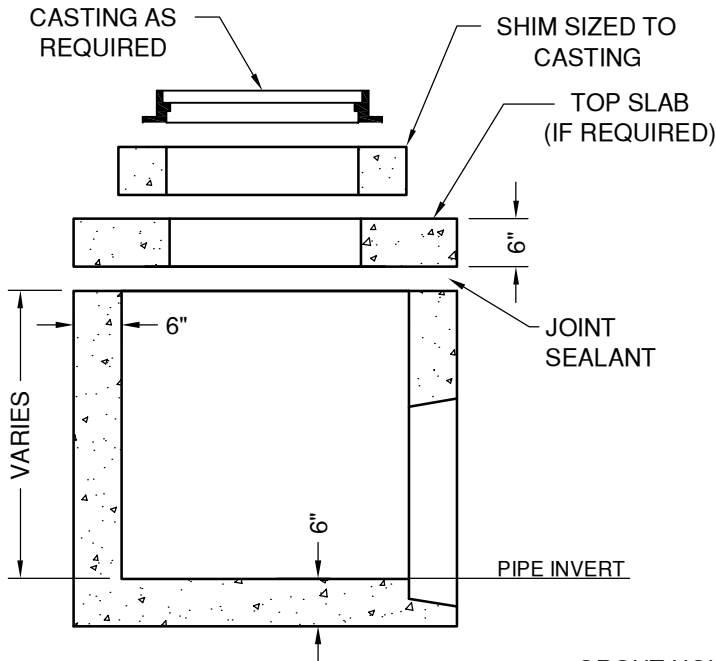
**TOP SLAB AVAILABLE
FOR ALTERNATE
CASTING SIZES**



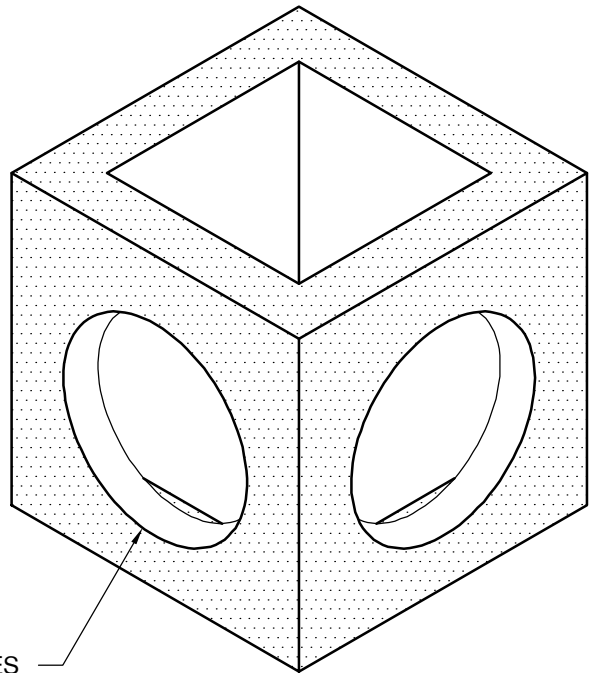
PLAN VIEW

STANDARD BOX SIZES				
SIZE (ID)	MAX BASE HEIGHT (ID)	MAX RCP PIPE SIZE	MAX HDPE PIPE SIZE	WEIGHT @ MAX HGT
2' x 2'	48"	15"	18"	3,675#
24" x 30"	48"	15"/21"	18"/24"	4,090#
2' x 3'	48"	15"/21"	18"/24"	4,500#
24" x 46"	48"	15"/30"	18"/36"	5,190#
28" x 44"	48"	18"/30"	18"/36"	5,370#
30" x 30"	48"	24"	30"	4,520#
30" x 46"	48"	24"/30"	30"/36"	5,670#
3' x 3'	48"	24"	30"	5,400#
3' x 4'	48"	24"/36"	30"/36"	6,300#
4' x 4'	54"	36"	36"	7,950#

**ALTERNATE ROUND OR CUSTOM
SIZES ALSO AVAILABLE**



SECTION VIEW



GROUT HOLES
AS REQUIRED
PIPE OD + 3"

ISOMETRIC VIEW



"NPCA" CERTIFIED PLANT
16700 SIMA GRAY RD, HENRYVILLE, IN 47126
Phone: (812) 246-6258 Fax: (812) 294-4862

SPECIFICATIONS

CONCRETE: 4500 PSI @ 28 DAYS
REINFORCEMENT: ASTM A-615, GR 60
DESIGN LOAD: AASHTO HS-20

WEIGHT: See Chart

**STANDARD
CATCH BASIN
8" - 36" PIPE**

DATE: 2-10-17

DWG #CB-STD-01