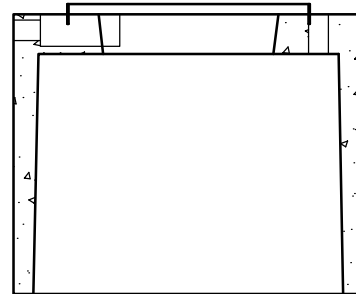
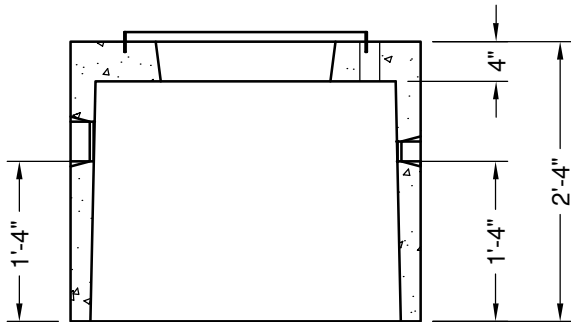
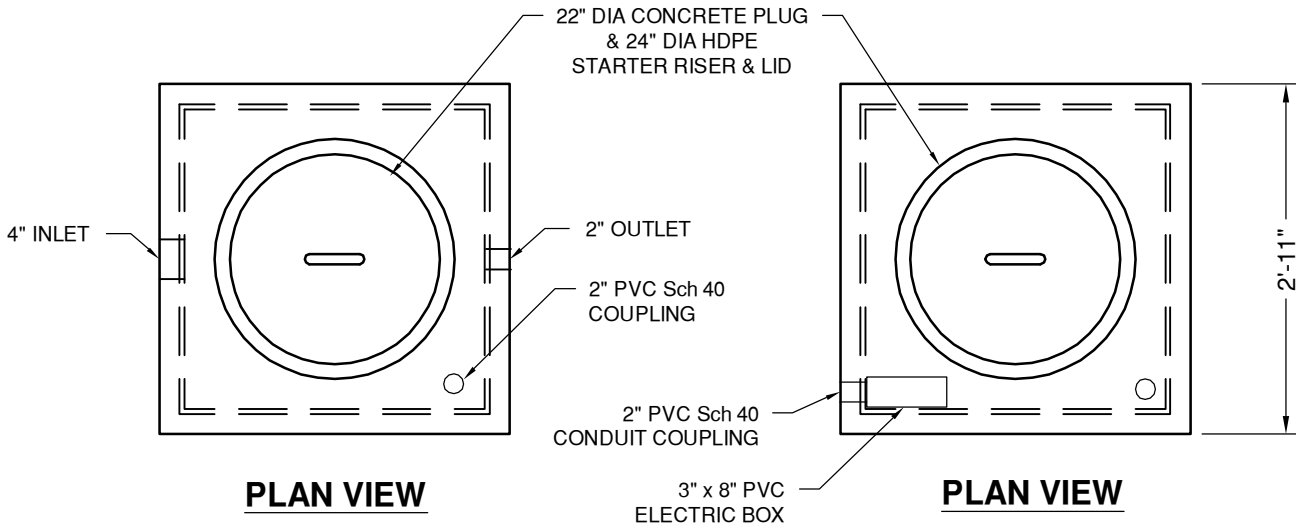


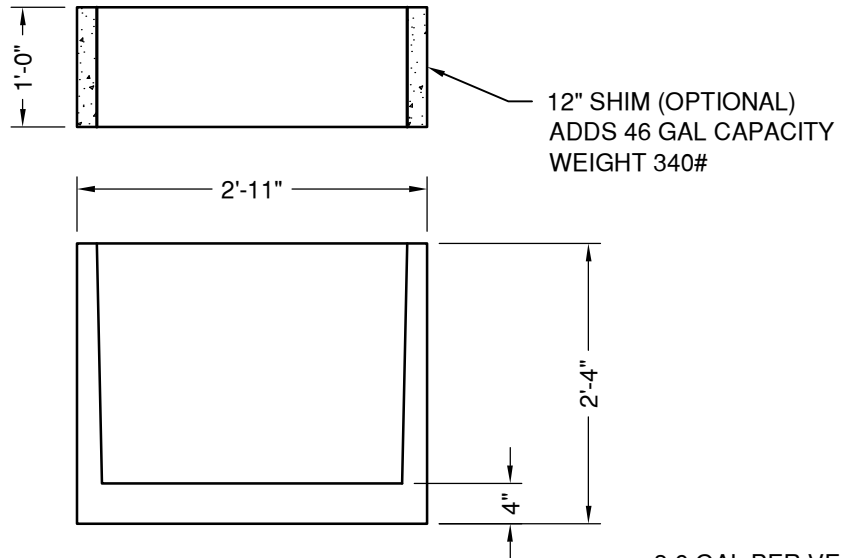
BELOW GRADE

ABOVE GRADE



SECTION VIEW

SECTION VIEW



SECTION VIEW

3.6 GAL PER VERTICAL INCH CAPACITY



"NPCA" CERTIFIED PLANT
16700 SIMA GRAY RD, HENRYVILLE, IN 47126
Phone: (812) 246-6258 Fax: (812) 294-4862

SPECIFICATIONS

CONCRETE: 4500 PSI @ 28 DAYS
REINFORCEMENT: ASTM A-615, GR 60
LOAD DESIGN: NON-TRAFFIC 18" MAX COVER

WEIGHT: BASE 1,039#, TOP 876#

**PUMP CHAMBER
144 GALLON**

DATE: 12-12-17

DWG #ST-IN-P144