

**JOB NAME**

**CONTRACTOR**

**0000**

**COMPONENT LIST**

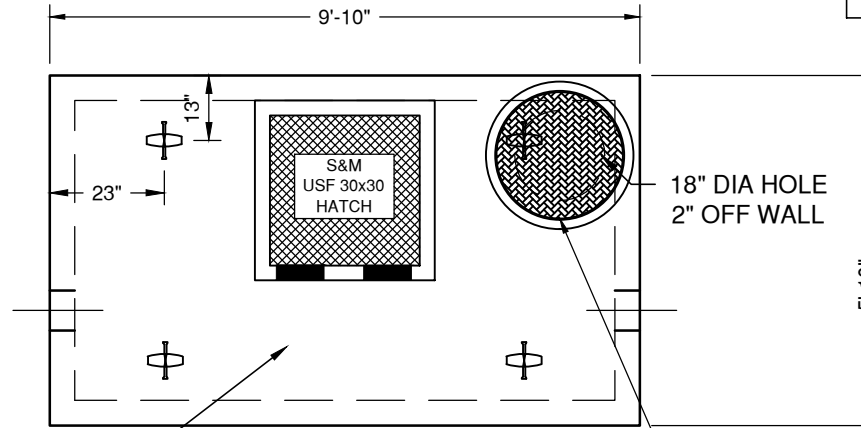
QTY	DESCRIPTION	WEIGHT
1	Top Section	8,497#
1	Bottom Section	8,806#
1	USF 30x30 Hatch	
4	Mastic 1½" x 10'	
1	Sigma Plain Cover Casting	

Yard Location:

**5' x 9' x 6'**

**Meter Vault**

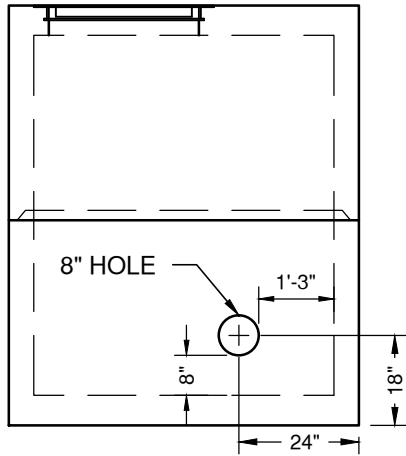
Total Weight = 17,303#



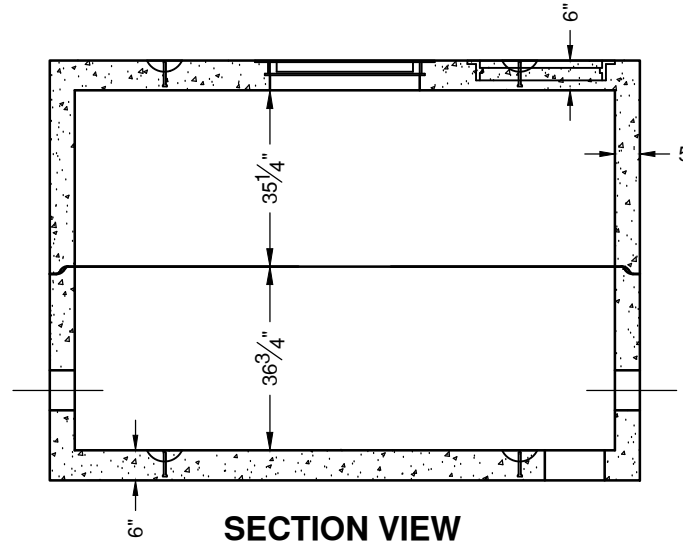
LIGHT BROOM FINISH

**PLAN VIEW**

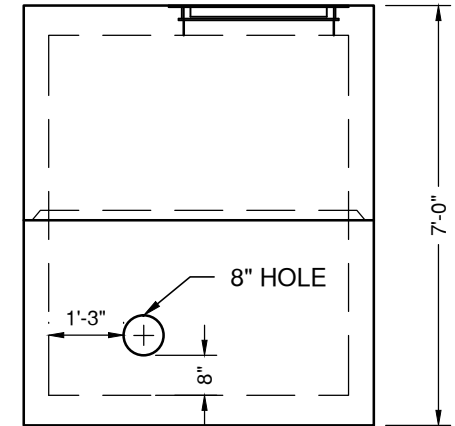
SIGMA PLAIN COVER CASTING IN TOP 18" HOLE IN FLOOR



**LEFT VIEW**



**SECTION VIEW**



**RIGHT VIEW**

**REBAR**  
STANDARD 5x9 CAGE

Sec	Setup	Check
HW		



"NPCA" CERTIFIED PLANT  
16700 SIMA GRAY RD, HENRYVILLE, IN 47126  
Phone: (812) 246-6258 Fax: (812) 294-4862