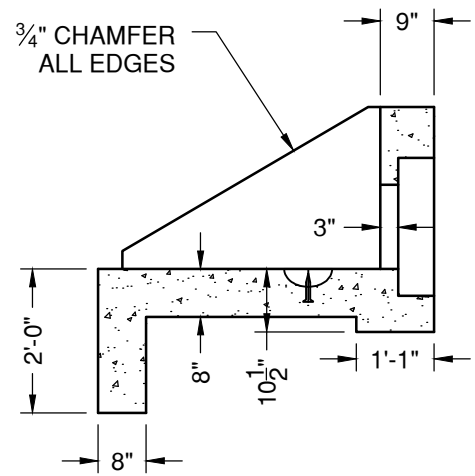
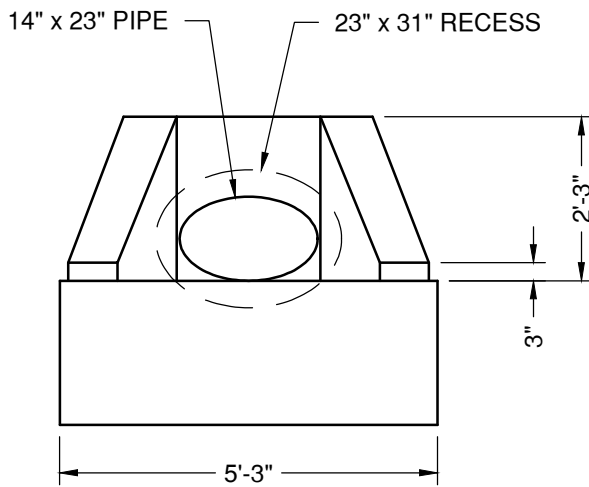
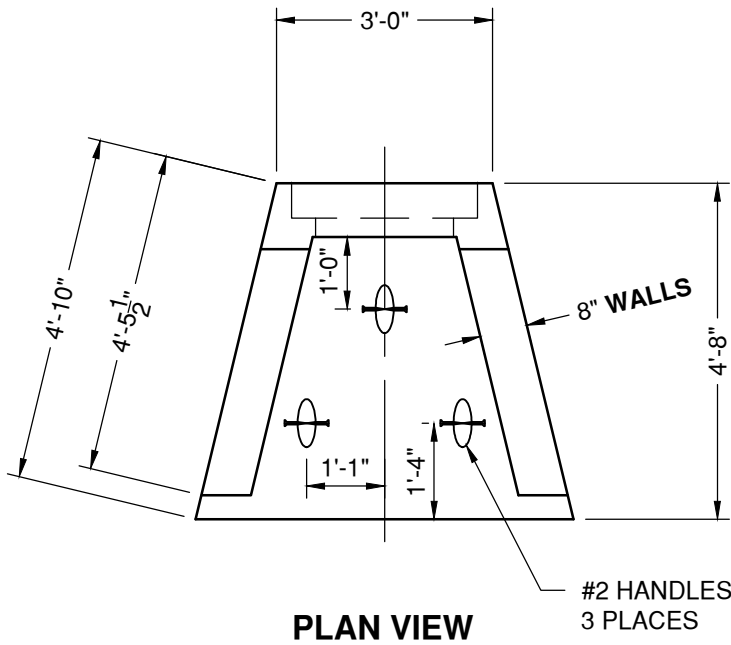


Pipe Size	Hole Size	Weight
14" x 23" (18" EQUIV)	23" x 31"	4,045#



"NPCA" CERTIFIED PLANT
16700 SIMA GRAY RD, HENRYVILLE, IN 47126
Phone: (812) 246-6258 Fax: (812) 294-4862

SPECIFICATIONS

CONCRETE: 4500 PSI @ 28 DAYS
REINFORCEMENT: ASTM A-615, GR 60

WEIGHT: 4,045#

**SLOPED & FLARED
HEADWALL
14" x 23" PIPE**

DATE: 11-17-16

DWG #HW-SF-E18