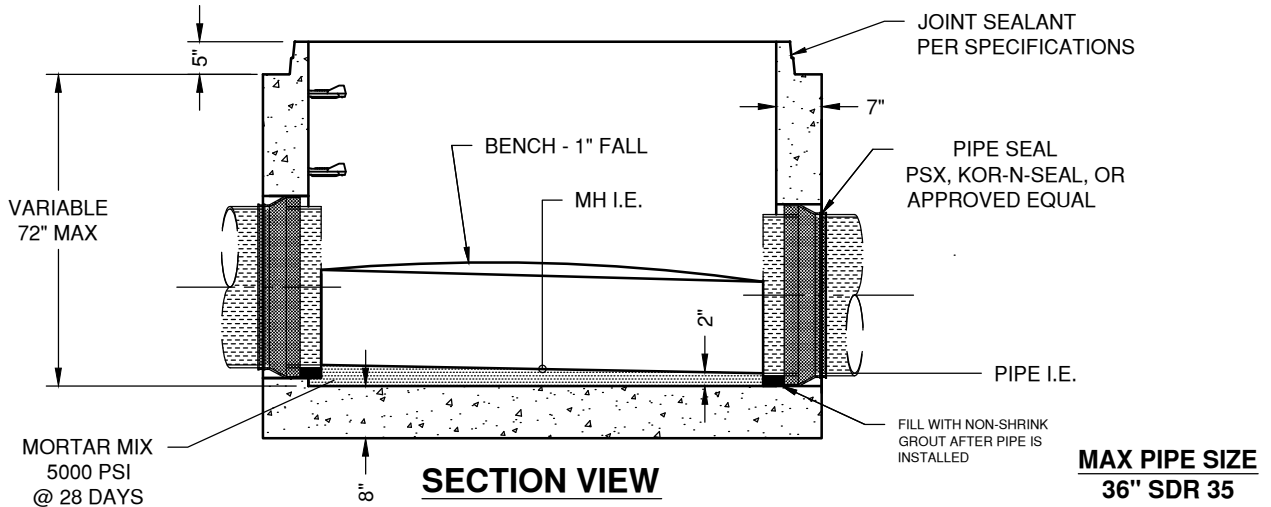
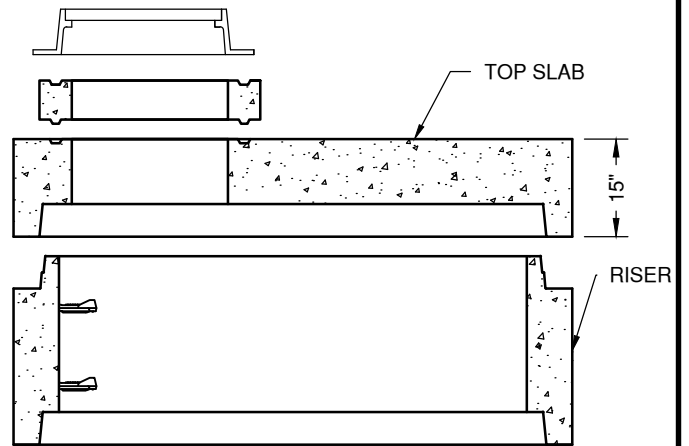
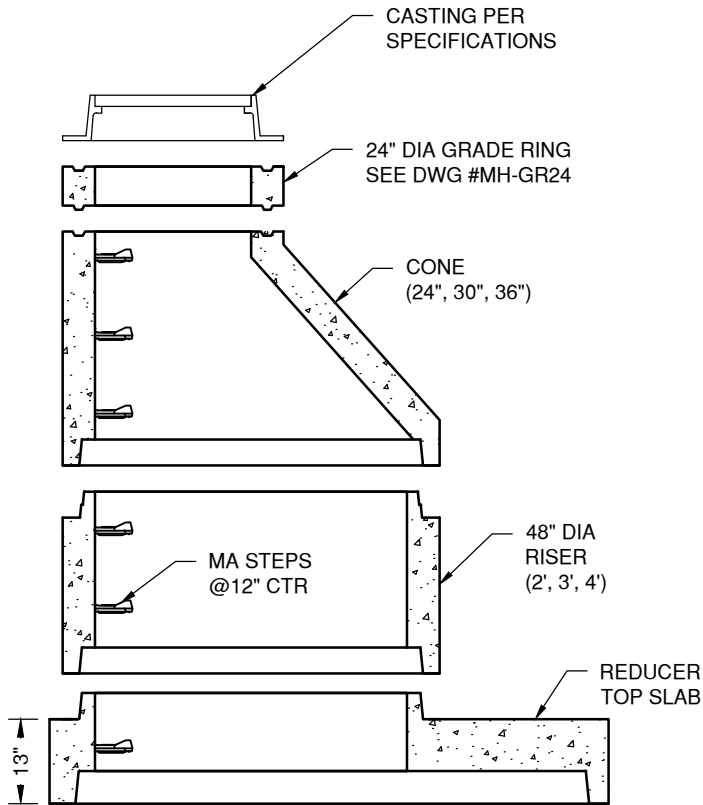


72" DIA COMPONENTS		
SIZE (ID)	HEIGHT (ID)	WEIGHT
BASE w/INVERT	48"	16,320#
RISER	24"	3,620#
RISER	36"	5,430#
RISER	48"	7,240#
RISER	60"	9,050#
RISER	72"	10,860#
RISER	CUSTOM	1,810#/VF
REDUCER SLAB	13"	3,310#
TOP SLAB	15"	5,040#



**SECTION VIEW**

**MAX PIPE SIZE  
36" SDR 35**



"NPCA" CERTIFIED PLANT  
16700 SIMA GRAY RD, HENRYVILLE, IN 47126  
Phone: (812) 246-6258 Fax: (812) 294-4862

**SPECIFICATIONS**

CONCRETE: 4500 PSI @ 28 DAYS  
REINFORCEMENT: ASTM A-615, GR 60  
DESIGN LOAD: AASHTO HS-20  
DESIGN SPECIFICATION: ASTM C-478

WEIGHT: See Chart

**SANITARY MANHOLE  
72" DIAMETER**

DATE: 12-23-16

DWG #SAN-MH-72